

Mechanical Data

Item	Standard Value	Unit
Module Dimension	180.0X40.0	mm
Viewing Area	149.0X23.0	mm
Mounting hole	172.0X32.0	mm
Character Size	1.152x1.765	mm

Absolute Maximum Rating

Item	Symbol	Standard Value			Unit
		min.	typ.	max.	
Power Supply	VDD-VSS	-0.3	---	7.0	V
Input Voltage	VI	VSS	---	VDD	V

Note: VSS=0 Volt, VDD=5.0 Volt.

Electronical Characteristics

Item	Symbol	Condition	Standard Value			Unit	
			min.	typ.	max.		
Input Voltage	VDD	---	4.5	5.0	5.5	V	
Supply Current	IDD	VDD=5V	1.0	1.2	1.5	mA	
Recommended LC Driving Voltage for Normal Temp. Version module	VDD-VO	-20°C	---	---	5.7	V	
		0°C	---	---	---		
		25°C	---	4.2	---		
		50°C	---	---	---		
LED Forward Voltage	VF	25°C	3.4	3.5	3.6	V	
			3.2	---	---		
LED Forward Current	IF	25°C	Array	---	---	---	mA
			Edge	50	60	75	mA
EL Power Supply Current	IEF	Vel=110VAC;400Hz	---	---	5.0	mA	

Display Character Address Code:

Display position
DD RAM Address

1	2	3	4	5	6	7	8	9	10	11	12	13	14	15	16	17	18	19	20	
00	01	02													0E	0F	10	11	12	13

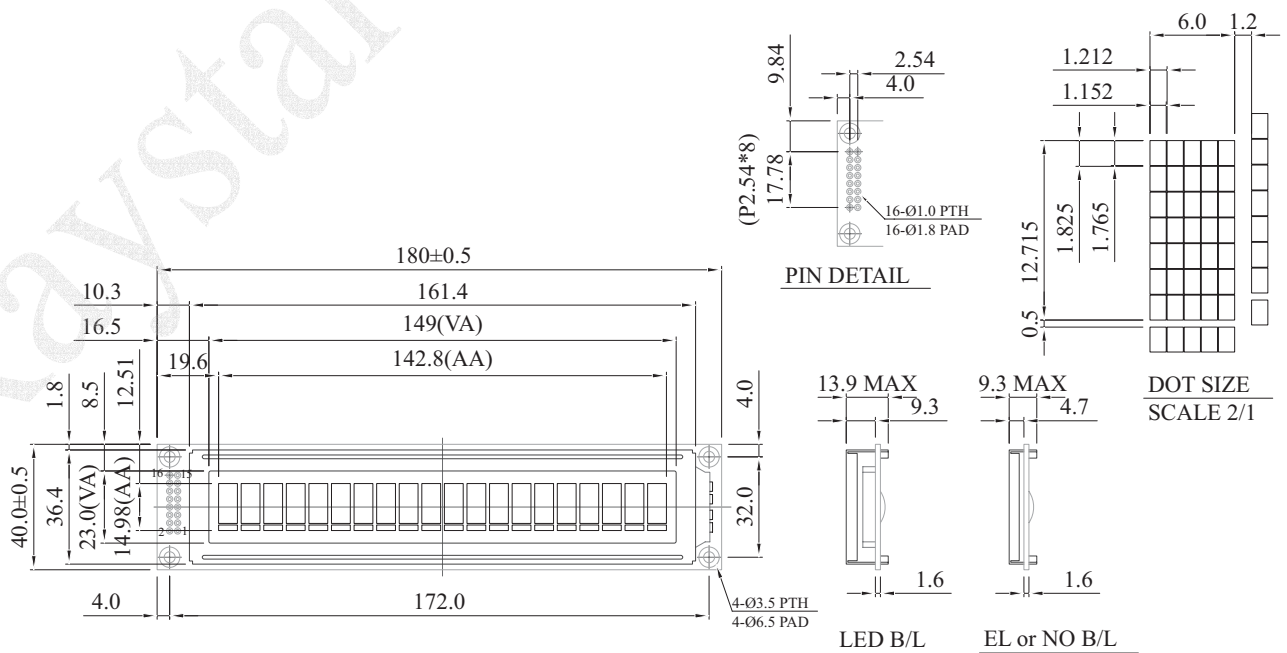
Feature

- 5x7 dots includes cursor
- Built-in controller (KS 0066 or Equivalent)
- 1/16 duty cycle
- +5V power supply

Pin NO.	Symbol	Function
1	VSS	Ground
2	VDD	Supply voltage for logic
3	Vo	Operating voltage for LCD
4	RS	H: Data L: Instruction
5	R/W	H: read data L: write data
6	E	Chip enable signal
7	DB0	Data bit 0
8	DB1	Data bit 1
9	DB2	Data bit 2
10	DB3	Data bit 3
11	DB4	Data bit 4
12	DB5	Data bit 5
13	DB6	Data bit 6
14	DB7	Data bit 7
15	A	LED+
16	K	LED--

RC2001A Character 20x1

Dimension drawing



Character type